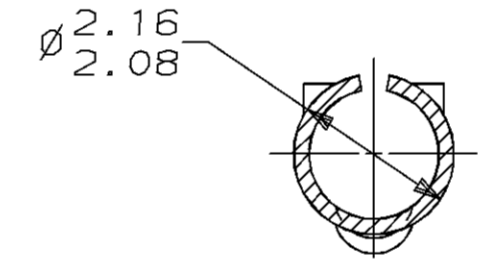
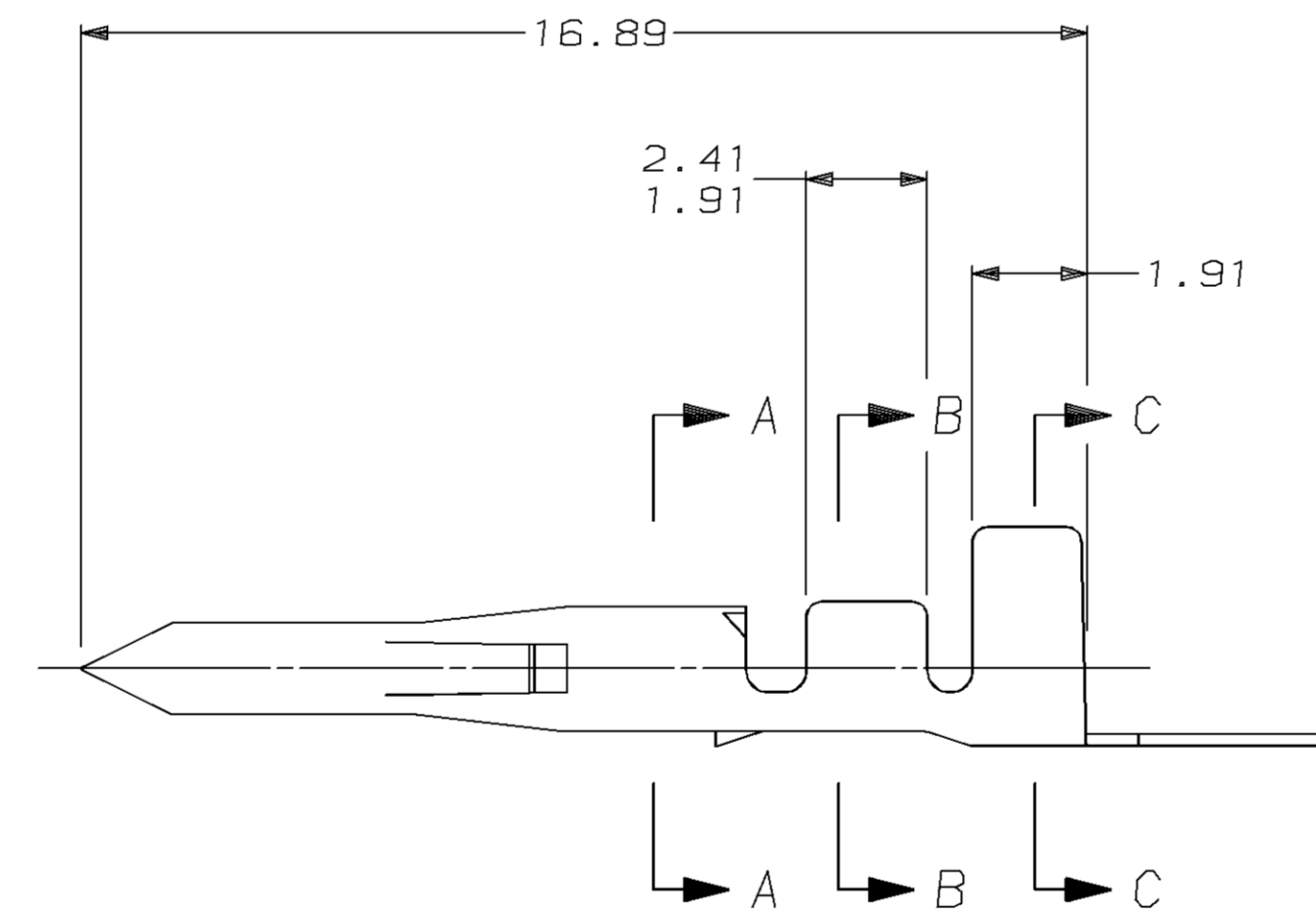
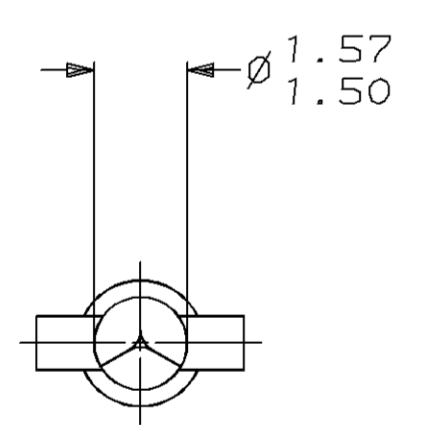
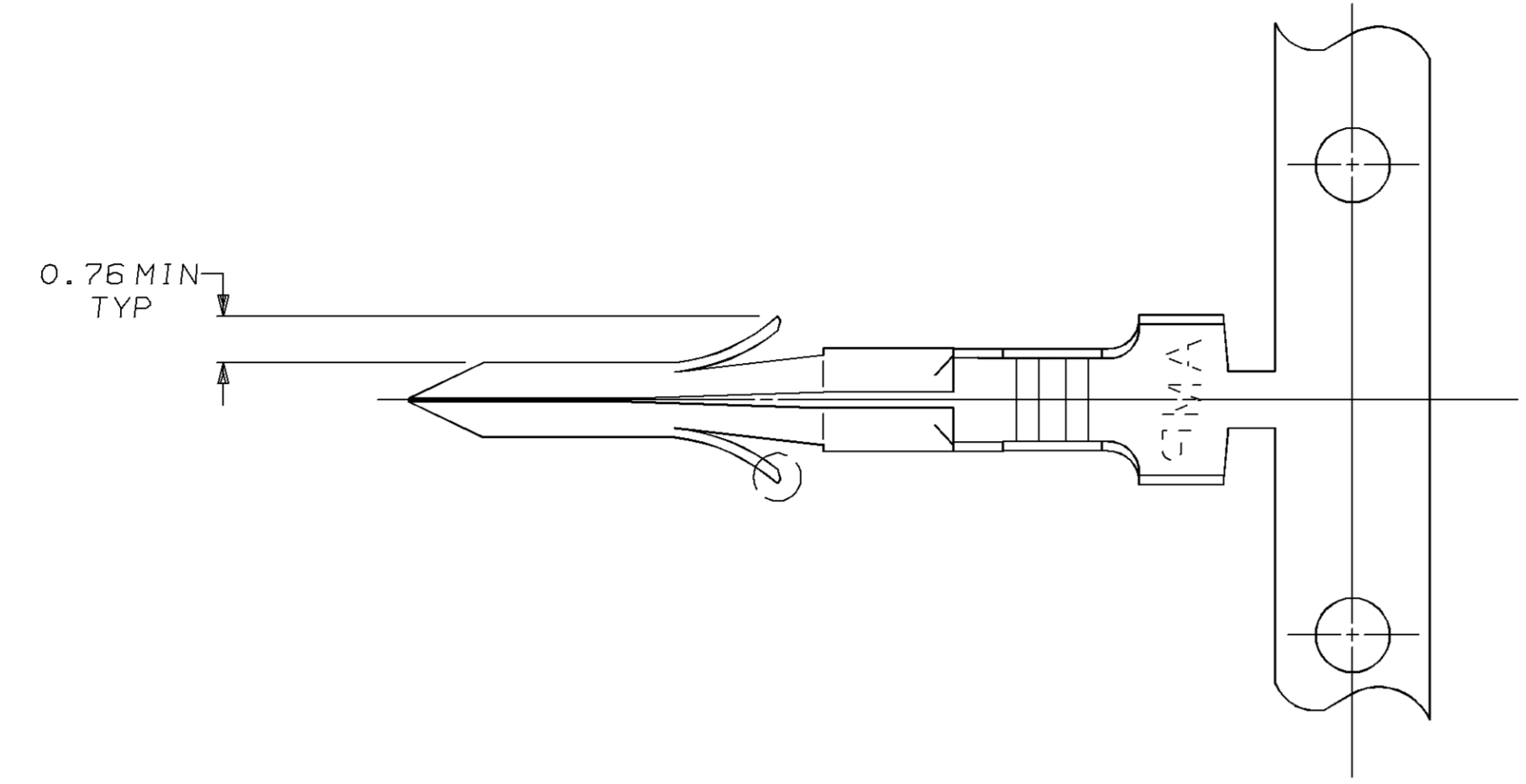
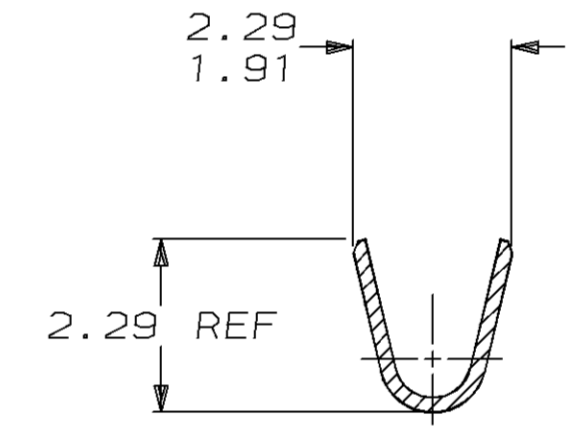


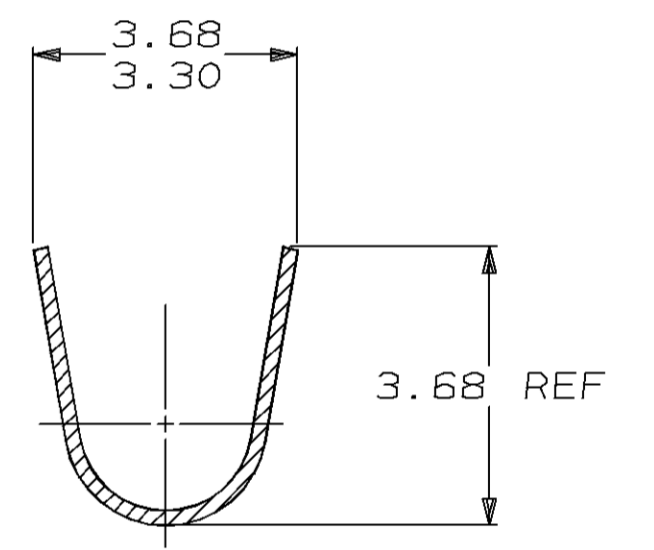
LOC		DIST		P		F		ZONE		LTR		REVISIONS		DATE	APPD
CM	53											B	REV PER EC 0730-0051-94	4-28-94	RV



SECTION A-A
SCALE 10:1



SECTION B-B
SCALE 10:1



SECTION C-C
SCALE 10:1

MM	IN	MM	IN	MM	IN
1.57	.062	2.79	.110	-	-
1.50	.059	2.41	.095	-	-
1.27	.050	2.29	.090	-	-
0.76	.030	2.16	.085	16.89	.665
0.20	.008	2.08	.082	3.68	.145
0.13	.005	1.91	.075	3.30	.130
MM	IN	MM	IN	MM	IN

CONVERSION TABLE

PRE-TIN	0.20 BRASS	1.27 - 2.79	0.2 - 0.9 mm ² (24-18 AWG)	770983-1
FINISH	MATERIAL	INSULATION DIAMETER	WIRE RANGE	PART NO
DO NOT SCALE PRINT. UNLESS SPECIFIED DIMENSIONS IN mm TOLERANCES ON: 2 PLC DEC ± - 3 PLC DEC ± 0.13 ANGLES ± -	DR 7-13-92 K. SALMON	AMP Incorporated Harrisburg, PA 17105-3608		
SEE TABLE	CHK 7-13-92 R. SWING			
SEE TABLE	APPD 7-16-92 C. CASH	NAME .062 PIN, COMMERCIAL PIN AND SOCKET		
SEE TABLE	APPD 7-16-92 C. CASH	SIZE D	CAGE CODE 00779	DRAWING NO 770983
SEE TABLE	APPLICATION SPEC	SCALE 8:1	SHEET 1 OF 1	
SEE TABLE	WEIGHT	CUSTOMER DRAWING		

